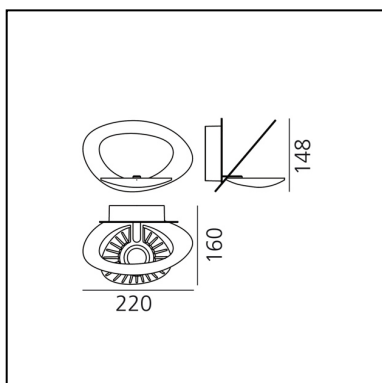


# Pirce Micro Wall - 2700K - White

Giuseppe Maurizio Scutellà



IP20     Dimmable: 



## LUMINAIRE

- Watt: **27W**
- Tension: **220V-240V**
- Flux Lumineux (lm): **2586lm**
- CCT: **2700K**
- Efficiency: **97%**
- Efficacy: **95.78lm/W**
- CRI: **90**
- Dimmable Typology: **Push**

## Remarques

Source LED incluse

## DESCRIPTION

Pirce's award-winning design is one of Artemide's top sellers. Originally released in halogen, its light source has been reimagined to incorporate a high quality, energy-efficient LED light source.

Pirce is not only an elegant light source, it is an alluring decoration with a strong sense of presence turned on or off. Its slim disc merges softly into flowing twirls that spiral downwards to create alluring lighting effects.

**CODE PRODUIT: 1248W10A**

## CARACTÉRISTIQUES

- Code Article : **1248W10A**
- Couleur: **White**
- Installation: **Applique**
- Matériaux: **Aluminum**
- Séries: **Design Collection**
- Environnement: **Indoor**
- Type de projet: **Résidentiels**
- Emission: **Indirecte**
- dessiné par: **Giuseppe Maurizio Scutellà**

## DIMENSIONS

- Longueur : **cm 22**
- Largeur: **cm 16**
- Hauteur: **cm 14.8**
- Test au fil incandescent: **650°**

## SOURCES INCLUES

- Catégorie: **Led**
- Nombre: **1**
- Watt: **27W**
- Température de Couleur (K): **2700K**
- CRI: **90**