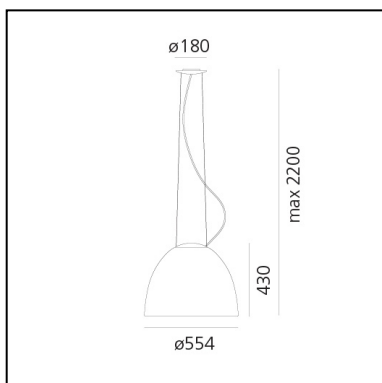


Nur - Suspension - Anthracite Grey

Ernesto Gismondi



IP20     Dimmerable: 



LUMINAIRE

- Watt: **21W**
- Voltage: **220V-240V**
- Delivered lumens output: **1417lm**
- Efficiency: **58%**
- Efficacy: **67.46lm/W**
- CRI: **80**

Notes

As accessory, are available an antidazzle cap and a coloured filter.

DESCRIPTION

An extreme geometric synthesis of optics par excellence, Nur manifests its presence through a monolithic and mono-material body. The essential and geometrically calibrated lines of a perfect parabola conceal an optical heart that perfectly controls the emission, without offending direct vision. It ensures general ambient lighting thanks also to indirect emission. Artemide App Compatible.

PRODUCT CODE: A240600

FEATURES

- Article Code: **A240600**
- Colour: **Anthracite Grey**
- Installation: **Suspension**
- Material: **Aluminium, glass**
- Series: **Design Collection**
- Environment: **Indoor**
- Area contract: **Hospitality, Office, Residential**
- Emission: **Direct/indirect**
- design by: **Ernesto Gismondi**

DIMENSIONS

- Height: **cm 43**
- Diameter: **cm 55**
- Base Diameter: **cm 18**
- Max Height from ceiling: **cm 220**
- Glow Wire Test: **650°C**

SOURCES NOT INCLUDED

- Category: **LED RETROFIT**
- Number: **1**
- Watt: **21W**
- Socket: **E27**

Accessories



NUR FILTRO COLORATO PER ALOG 250W*
A249300



NUR CUPOLA ANTIABBAGL.PER ALOG 250W*
A249400