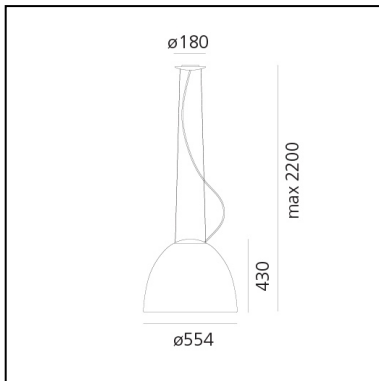


Nur LED White Integralis - Suspension - Anthracite Grey - App Compatible

Ernesto Gismondi



IP20   Dimmerable: 



LUMINAIRE

DAY MODE

- Watt: **45W**
- Voltage: **220V-240V**
- Delivered lumens output: **2423lm**
- Radiant Flux: **1413mW**
- CCT: **5000K**
- Efficiency: **52%**
- Efficacy: **53.84lm/W**
- CRI: **90**
- Dimmable Typology: **APP**

DESCRIPTION

An extreme geometric synthesis of optics par excellence, Nur manifests its presence through a monolithic and mono-material body. The essential and geometrically calibrated lines of a perfect parabola conceal an optical heart that perfectly controls the emission, without offending direct vision. With a 45W LED optical engine, it ensures general ambient lighting thanks also to indirect emission. In the WHITE INTEGRALIS version, compatible with Artemide App, Nur is designed to offer a white emission ensuring perfect perception while respecting the human presence and which at the same time combines control of microbial growth. It can vary in intensity and is available with a fixed CCT of 5000K, with a high color rendering index (CRI 90).

PRODUCT CODE: A243300IN0APP

FEATURES

- Article Code: **A243300IN0APP**
- Colour: **Anthracite Grey**
- Installation: **Suspension**
- Material: **Aluminium, methacrylate, glass**
- Series: **Design Collection**
- Environment: **Indoor**
- Area contract: **Hospitality, Office, Residential**
- Emission: **Direct/indirect**
- design by: **Ernesto Gismondi**

DIMENSIONS

- Height: **cm 43**
- Diameter: **cm 55**
- Max Height from ceiling: **cm 220**
- Glow Wire Test: **650°C**

SOURCES INCLUDED

- Category: **Led**
- Number: **1**
- Color temperature (K): **5000K**
- CRI: **90**
- Color Tolerance: **3SDCM**
- Service Life: **L80 (10K) 55000h**

Accessories

Device for switching and controlling Artemide App products. Max N.3 inputs for external push buttons. Max 1m distance. Mains power supply required. To be installed inside flush mounting boxes or junction boxes. DV1080APP